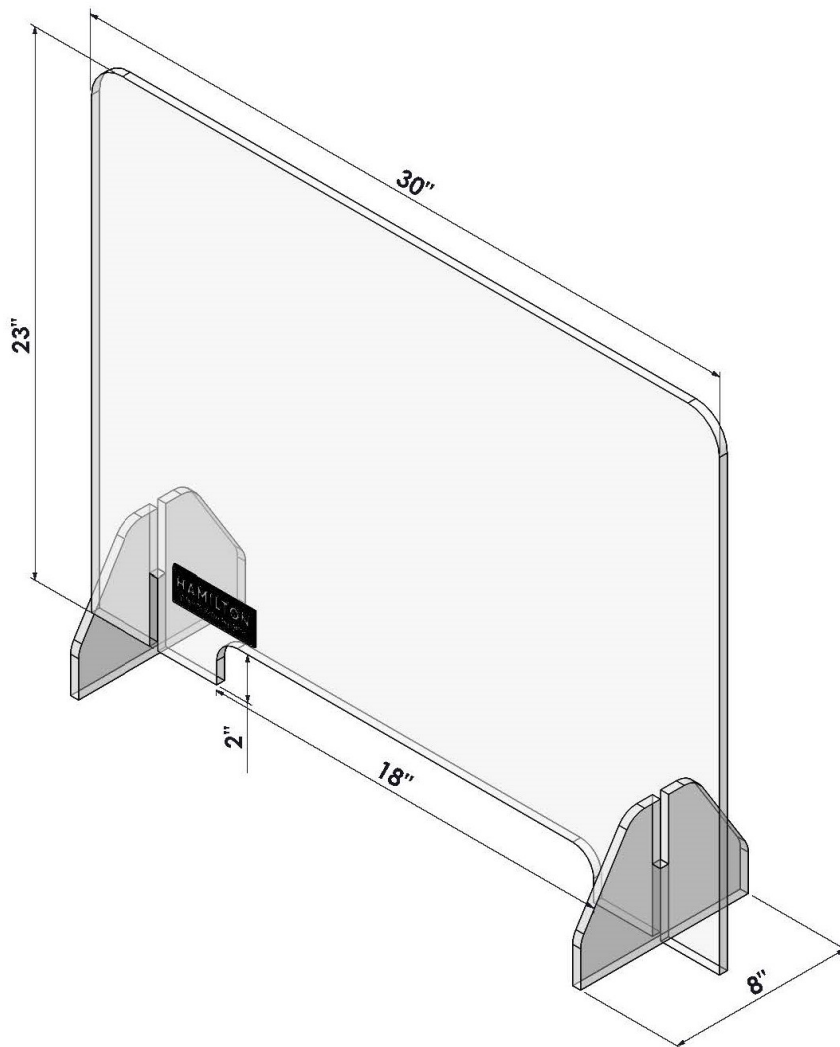


# Clear Acrylic Sneeze Guard

## HAMILTON WALK-UP



- 23"H x 30"W x 8" Base
- Barrier against germs
- Clear site lines
- Impact resistant
- 18" wide pass thru
- Lightweight and portable
- Removable base for easy relocation

est. 1967

**HAMILTON**  
CUSTOM MADE SECURITY

A **GUNNEBO**® COMPANY



7775 Cooper Road | Cincinnati, OH 45242 | 513.874.3733 | [hamiltonsecuritysolutions.com](http://hamiltonsecuritysolutions.com)

©2020 Hamilton 3-2020